

GENERAL PURPOSE TYPE I ENCLOSURES

Application

Designed to house electrical controls, instruments and components in areas that do not require oil, water and dust tight protection. For installation information, consult our installation manual at www.saginawcontrol.com.

Construction

- 0.048", 0.060" & 0.075" carbon steel depending on its size.
- Spot weld construction.
- Standoffs provided for mounting optional subpanels.
- Butt hinge.
- Doors open 180 degrees.
- Black quarter turn latches.
- Latches are opened or closed with a screwdriver.
- Ground stud on door and body.
- Mounting holes in back of enclosure.
- Subpanel mounting hardware included.

Options

- Tamper-resistant inserts available.
- Optional mounting straps available

Finish

ANSI-61 gray powder coated inside and out. Optional subpanels powder coated white.

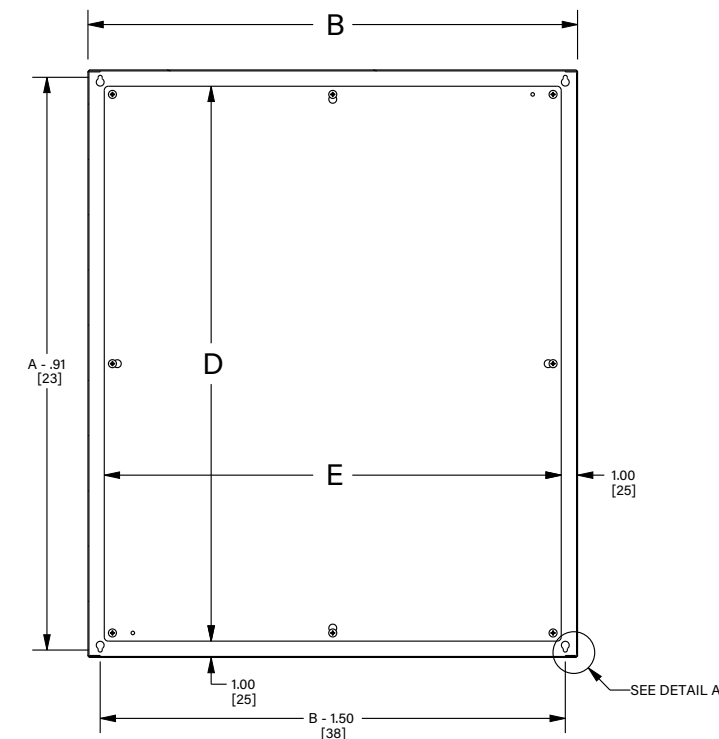
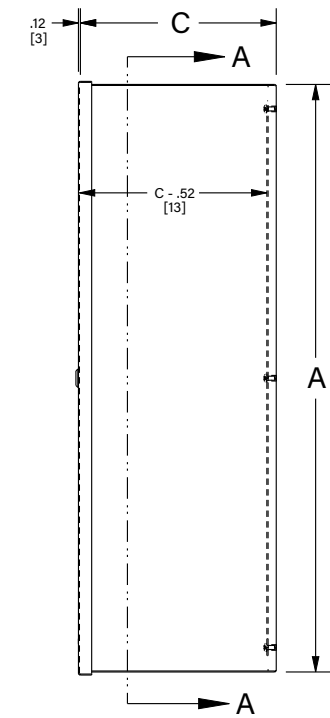
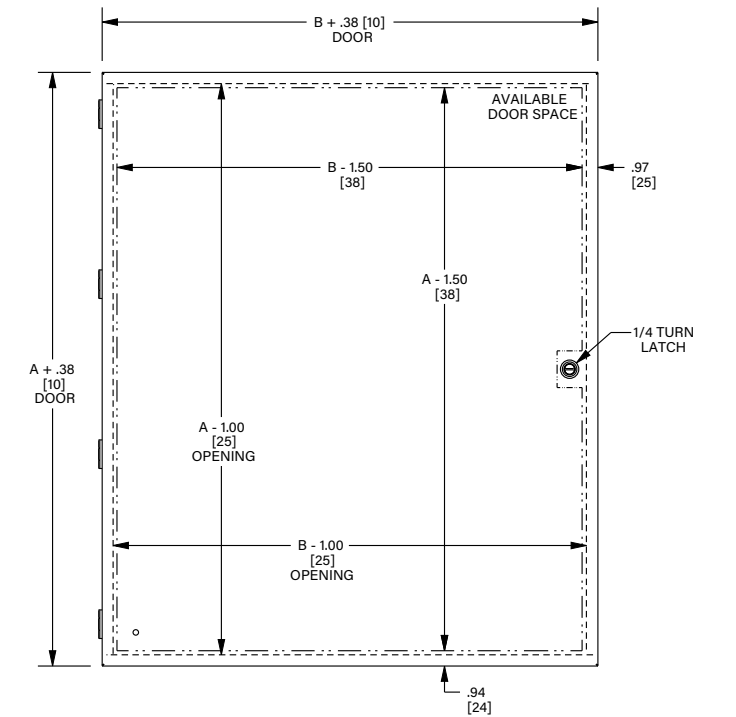
IS8 Industry Standards

NEMA Type 1
UL Listed Type 1
CSA Type 1
IEC 60529 IP30

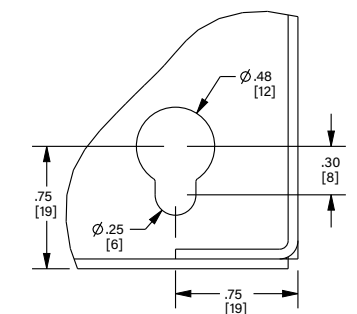


GENERAL PURPOSE TYPE I ENCLOSURES TECHNICAL DATA

Enclosure Product Code N1					Subpanel (N1)		
Catalog No.	Height (A)	Width (B)	Depth (C)	Industry Standard	Catalog No.	Panel Height (D)	Panel Width (E)
SCE-6N604LP	6.00	6.00	4.00	IS8	SCE-6N6MP	4.00	4.00
SCE-8N604LP	8.00	6.00	4.00	IS8	SCE-8N6MP	6.00	4.00
SCE-8N804LP	8.00	8.00	4.00	IS8	SCE-8N8MP	6.00	6.00
SCE-8N806LP	8.00	8.00	6.00	IS8	SCE-8N8MP	6.00	6.00
SCE-10N804LP	10.00	8.00	4.00	IS8	SCE-10N8MP	8.00	6.00
SCE-10N806LP	10.00	8.00	6.00	IS8	SCE-10N8MP	8.00	6.00
SCE-10N1004LP	10.00	10.00	4.00	IS8	SCE-10N10MP	8.00	8.00
SCE-10N1006LP	10.00	10.00	6.00	IS8	SCE-10N10MP	8.00	8.00
SCE-12N1004LP	12.00	10.00	4.00	IS8	SCE-12N10MP	10.00	8.00
SCE-12N1006LP	12.00	10.00	6.00	IS8	SCE-12N10MP	10.00	8.00
SCE-12N1204LP	12.00	12.00	4.00	IS8	SCE-12N12MP	10.00	10.00
SCE-12N1206LP	12.00	12.00	6.00	IS8	SCE-12N12MP	10.00	10.00
SCE-12N1208LP	12.00	12.00	8.00	IS8	SCE-12N12MP	10.00	10.00
SCE-14N1204LP	14.00	12.00	4.00	IS8	SCE-14N12MP	12.00	10.00
SCE-14N1206LP	14.00	12.00	6.00	IS8	SCE-14N12MP	12.00	10.00
SCE-14N1208LP	14.00	12.00	8.00	IS8	SCE-14N12MP	12.00	10.00
SCE-16N1206LP	16.00	12.00	6.00	IS8	SCE-16N12MP	14.00	10.00
SCE-16N1208LP	16.00	12.00	8.00	IS8	SCE-16N12MP	14.00	10.00
SCE-16N1606LP	16.00	16.00	6.00	IS8	SCE-16N16MP	14.00	14.00
SCE-16N1608LP	16.00	16.00	8.00	IS8	SCE-16N16MP	14.00	14.00
SCE-16N2006LP	16.00	20.00	6.00	IS8	SCE-20N16MP	18.00	14.00
SCE-20N1606LP	20.00	16.00	6.00	IS8	SCE-20N16MP	18.00	14.00
SCE-20N1608LP	20.00	16.00	8.00	IS8	SCE-20N16MP	18.00	14.00
SCE-20N2006LP	20.00	20.00	6.00	IS8	SCE-20N20MP	18.00	18.00
SCE-20N2008LP	20.00	20.00	8.00	IS8	SCE-20N20MP	18.00	18.00
SCE-20N2010LP	20.00	20.00	10.00	IS8	SCE-20N20MP	18.00	18.00
SCE-24N1606LP	24.00	16.00	6.00	IS8	SCE-24N16MP	22.00	14.00
SCE-24N2006LP	24.00	20.00	6.00	IS8	SCE-24N20MP	22.00	18.00
SCE-24N2008LP	24.00	20.00	8.00	IS8	SCE-24N20MP	22.00	18.00
SCE-24N2010LP	24.00	20.00	10.00	IS8	SCE-24N20MP	22.00	18.00
SCE-24N2406LP	24.00	24.00	6.00	IS8	SCE-24N24MP	22.00	22.00
SCE-24N2408LP	24.00	24.00	8.00	IS8	SCE-24N24MP	22.00	22.00
SCE-24N2412LP	24.00	24.00	12.00	IS8	SCE-24N24MP	22.00	22.00
SCE-30N2406LP	30.00	24.00	6.00	IS8	SCE-30N24MP	28.00	22.00
SCE-30N2408LP	30.00	24.00	8.00	IS8	SCE-30N24MP	28.00	22.00
SCE-30N2412LP	30.00	24.00	12.00	IS8	SCE-30N24MP	28.00	22.00
SCE-30N3008LP	30.00	30.00	8.00	IS8	SCE-30N30MP	28.00	28.00
SCE-36N2406LP	36.00	24.00	6.00	IS8	SCE-36N24MP	34.00	22.00
SCE-36N2408LP	36.00	24.00	8.00	IS8	SCE-36N24MP	34.00	22.00
SCE-36N2412LP	36.00	24.00	12.00	IS8	SCE-36N24MP	34.00	22.00
SCE-36N3006LP	36.00	30.00	6.00	IS8	SCE-36N30MP	34.00	28.00
SCE-36N3008LP	36.00	30.00	8.00	IS8	SCE-36N30MP	34.00	28.00
SCE-36N3012LP	36.00	30.00	12.00	IS8	SCE-36N30MP	34.00	28.00



SECTION A-A



SEE DETAIL A